

THIS DOCUMENT CONTAINS PROPRIETARY DATA OF POLARIS INDUSTRIAL ENTERPRISES, INC. NO DISCLOSURE, REPRODUCTION, OR USE OF ANY PART THEREOF MAY BE MADE EXCEPT BY WRITTEN PERMISSION.

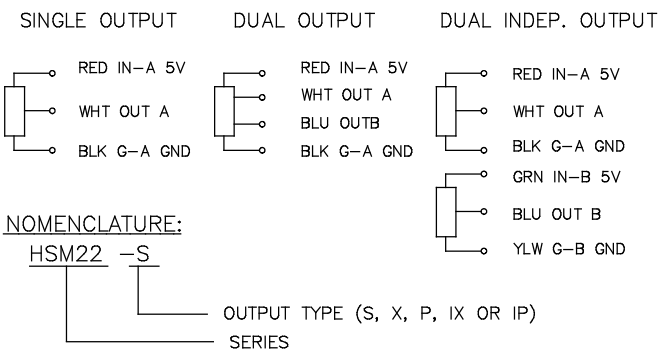
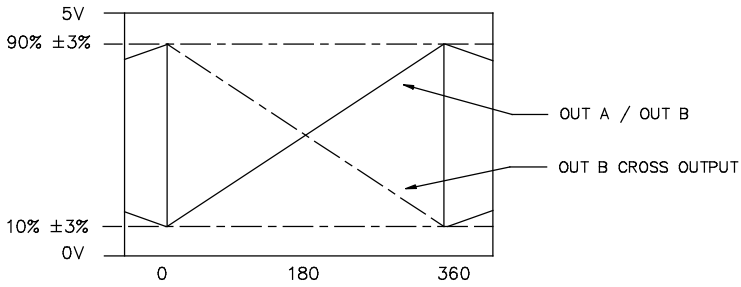
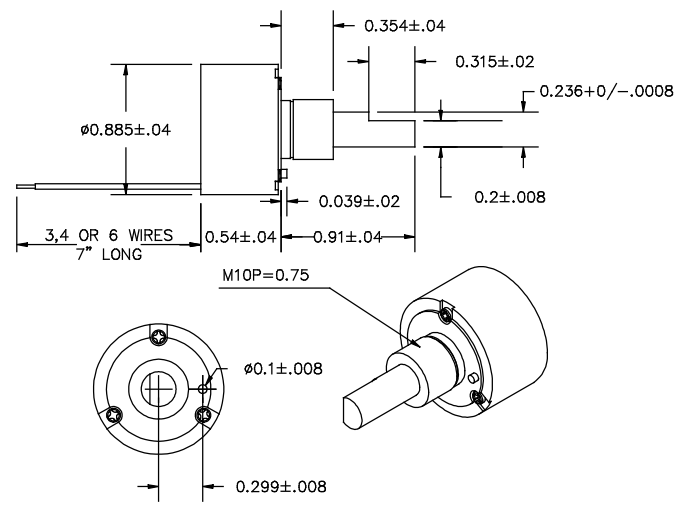
REV.	BY	DATE	APPRVL.	P/N	HSM22
------	----	------	---------	-----	-------

GENERAL SPECIFICATION:

CURRENT CONSUMPTION SINGLE OUTPUT ----- BELOW 16mA
 CURRENT CONSUMPTION DUAL OUTPUT----- BELOW 32mA
 INDEPENDENT LINEARITY TOL. ----- $\pm 0.5\%FS (FS=360^\circ)$
 MECHANICAL ROTATING ANGLE ----- 360° (ENDLESS)
 EFFECTIVE ELECTRICAL ANGLE ----- 360° (ENDLESS)
 APPLIED VOLTAGE ----- $5V \pm 10\%D.C$
 LOAD RESISTANCE ----- 10KOHMS MIN
 EFFECTIVE OUTPUT ----- $10\% \pm 3\% \sim 90\% \pm 3\% VIN$
 OUTPUT TEMPERATURE CHARACT. ----- WITHIN $\pm 0.3\%VOUT/FS$
 OPERATING TEMPERATURE RANGE ----- $-40^\circ C \sim +105^\circ C$
 STORAGE TEMPERATURE RANGE ----- $-40^\circ C \sim +105^\circ C$
 MASS ----- APPROX 20g

ENVIRONMENTAL SPECIFICATION:

ROTATING TORQUE ----- BELOW 5mN.m
 THERMAL SHOCK ----- 5 CYCLES $-40^\circ C \sim +105^\circ C$
 EXPOSURE TO LOW TEMPERATURE ----- 24 HOURS AT $-40^\circ C$
 EXPOSURE AT HIGH TEMPERATURES ----- 1,000 HOURS AT $+105^\circ C$
 VIBRATION ----- $10 \sim 2,000Hz$ 196m/s.s 12 HOURS
 SHOCK ----- 980m/s.s 6ms (18 TIMES)
 ROTATIONAL LIFE EXPECTANCY ----- APPROX. 50,000,000 REVOLUTIONS
 EMS TOLERANCE ----- 100V/m (80MHz \sim 1GHz 1KHz SIN WAVE
 80% AMPLITUDE MODULATION)
 ESD TOLERANCE ----- $\pm 8KV$ CONTACT / $\pm 15KV$ AERIAL DISCHARGE



TOLERANCES
 XX = +/- .010" FRACT. = +/- 1/64"
 XXX = +/- .005" ANGLES = +/- 1/2"
 ALL SPECIFICATIONS SUBJECT TO CHANGE WITHOUT NOTICE.

SCALE	DATE: 5-3-13
NONE	BY AT
CODE	APPRV'D
IDENT: 19477	



TITLE
 CONTACTLESS
 POTENTIOMETER

PART NO.
 HSM22