

SPECIFICATIONS

REV.	BY	DATE	P/N J50H-CG20-SMB

ELECTRICAL

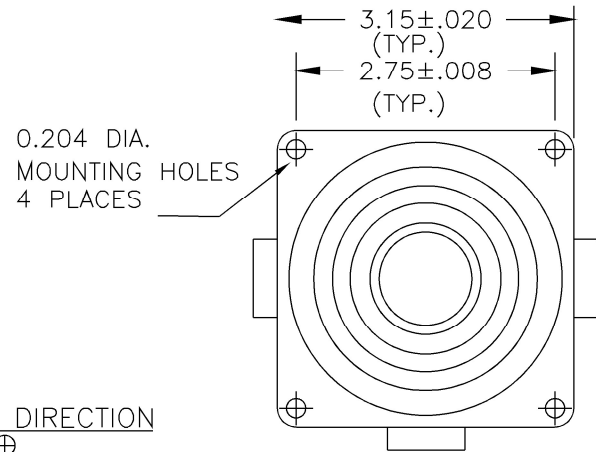
APPLIED VOLTAGE ----- 5V DC±10%
 LINEARITY (INDEPENDENT) ----- ±3%
 LOAD RESISTANCE ----- 10K OHM MIN.
 ELECTRICAL ANGLE X&Y AXIS ----- APPROX. ±18°
 EFFECTIVE OUTPUT ----- APPROX. 0.5V ~ 4.5V
 INSULATION RESISTANCE ----- OVER 100 MEGA OHMS @ 250VDC.
 DIELECTRIC STRENGTH ----- 1 MINUTE AT 250 VAC
 DRIFT AT CENTER POSITION ----- BELOW ±0.9% V(OUT)-FS
 EMC IMMUNITY ----- 100V/m (80MHz-1GHz SINE WAVE)

MECHANICAL

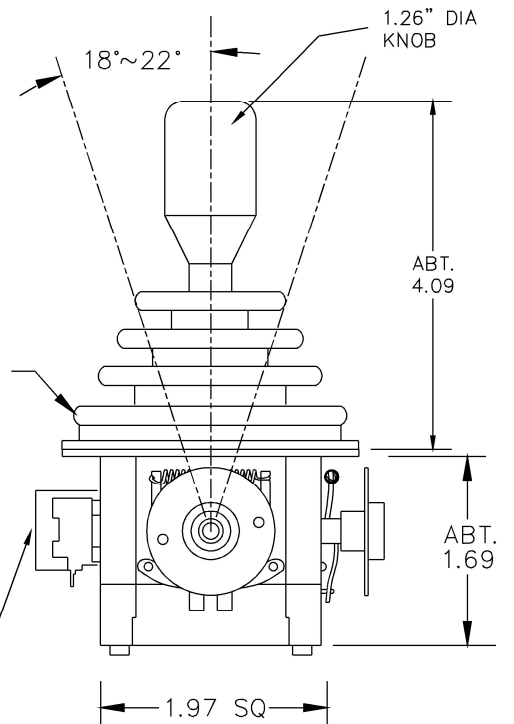
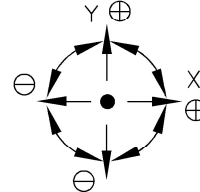
RANGE OF OPERATING LEVER ----- ±18° ~ ±22° FROM CENTER.
 OPERATING FORCE FOR X&Y AXIS ----- APPROX. 2.87 TO 6.84 OZ-F.
 OPERATING TEMPERATURE ----- -20°C TO +65°C
 LIFE EXPECTANCY ----- 5 MILLION OPERATIONS
 WEIGHT ----- APPROX. 11 OZ.

MATERIALS

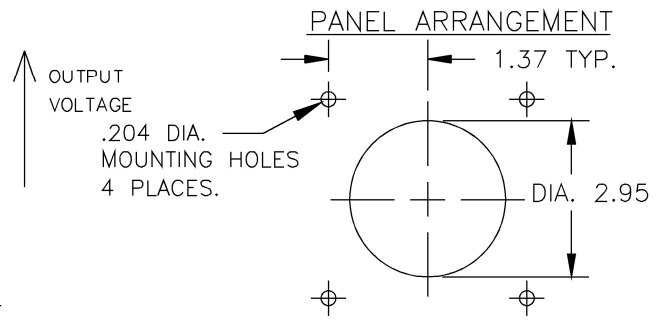
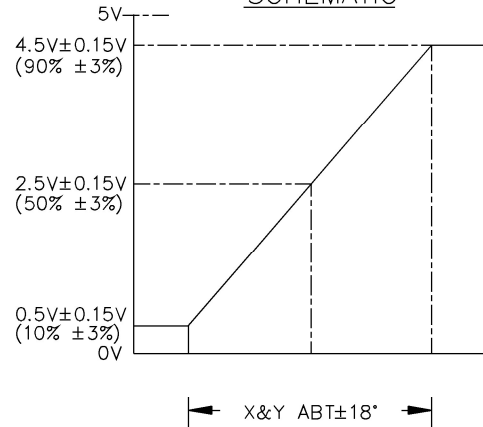
HOUSING ----- ALUMINUM.
 ELEMENT ----- HALL-EFFECT IC
 KNOB ----- HARD PLASTIC



"C" LEVER DIRECTION



SCHEMATIC



SCALE	DATE:	5-3-23
NONE	APPRV'D	AT
CODE	IDENT:	19477



ETI SYSTEMS
 CARLSBAD
 CALIFORNIA

TITLE
 JOYSTICK

PART NO.
 J50H-CG20-SMB