

ELECTRICAL

RESISTANCE RANGE ----- SEE CHART
 RESISTANCE TOLERANCE ----- ±10%
 LINEARITY, INDEPENDENT --- SEE TABLE
 RESOLUTION ----- ESSENTIALLY INFINITE
 STROKE ----- SEE TABLE
 OUTPUT SMOOTHNESS ----- <0.1% AGAINST INPUT VOLTAGE
 POWER RATING @40°C ----- SEE TABLE
 INSULATION RESISTANCE --- 1000 MEGOHMS AT 500 VDC
 DIELECTRIC STRENGTH --- 1 MIN @ 900VAC
 CONTACT RESIS. VARIATION --- BELOW 2% C.R.V.

MECHANICAL

STROKE ----- SEE TABLE
 STOP STRENGTH ----- 20 LBS MIN.
 LIFE ----- 20,000,000 STROKES

MARKING: ETI SYSTEMS
 SCHEMATIC, DATE CODE, RESIST., LIN
 NATIONAL ORIGIN

ENVIRONMENTAL

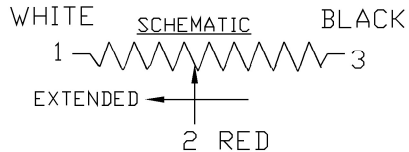
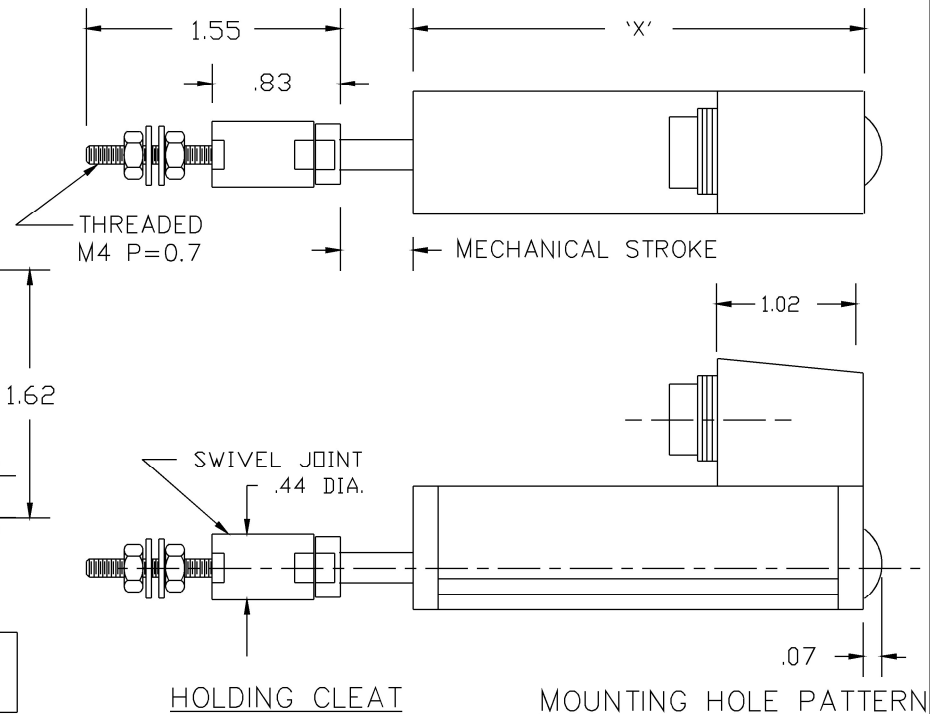
OPERATING TEMPERATURE RANGE -- 30°C TO 105°C
 TEMPERATURE COEFFICIENT ----- 400 PPM/°C

NON-STANDARD OPTIONS

SPECIAL RESIS. & LINEARITY
 MACHINED SHAFTS
 EXTRA TAPS
 SPRING RETURN
 7.874 (200MM) STROKE
 SEALED HOUSING (EXTEND LENGTH ~6MM)
 REAR SHAFT EXTENSION

THIS DOCUMENT CONTAINS PROPRIETARY DATA OF POLARIS INDUSTRIAL ENTERPRISES, INC. NO DISCLOSURE, REPRODUCTION, OR USE OF ANY PART THERE OF MAY BE MADE EXCEPT BY WRITTEN PERMISSION.

REV.	BY	DATE	P/N LCP18UC
F	AT	4-21-03	ADDED LEADWIRE CONNECTOR

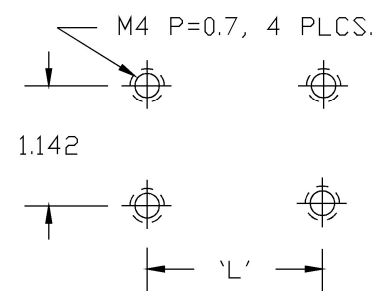
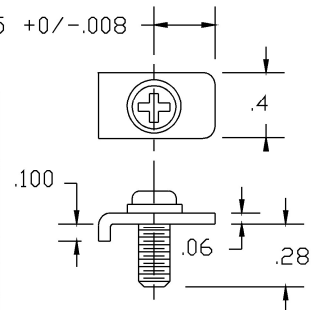


LEADWIRE CONNECTOR APPROX. 1 M
 DIMENSION TABLE

DASH NO.	APPROX WEIGHT	MECHANICAL STROKE APPROX.	ELEC. STROKE ±.040	RESIS. RANGE	LINEARITY STANDARD / PRECISION	'X' ±.04	'L' ±.04	POWER RATING
-25	3.2 OZ	1.181	.984	500-10K	0.5% / 0.2%	2.933	1.752	.3 WATTS
-50	4.2 OZ	2.165	1.968	500-10K	0.5% / 0.1%	3.917	2.736	.6 WATTS
-75	5.0 OZ	3.150	2.953	500-20K	0.5% / 0.1%	4.902	3.720	.75 WATTS
-100	5.6 OZ	4.134	3.937	1K-20K	0.5% / 0.1%	5.886	4.705	1.25 WATTS
-150	8.8 OZ	6.102	5.906	1K-20K	0.5% / 0.05%	7.854	6.673	1.5 WATTS

HOLDING CLEAT (4 EA.) FURNISHED WITH UNIT

MOUNTING HOLE PATTERN



NOTE: ADD 'S' TO MODEL NUMBER FOR SPRING RETURN. (LCP18UCS) SPRING WILL EXTEND SHAFT.
 CONDUCTIVE PLASTIC ELEMENT

SCALE	NONE
DATE:	6-22-96
BY	

THIS DOCUMENT CONTAINS PROPRIETARY DATA OF POLARIS INDUSTRIAL ENTERPRISES, INC. NO DISCLOSURE, REPRODUCTION, OR USE OF ANY PART THERE OF MAY BE MADE EXCEPT BY WRITTEN PERMISSION.

ETI SYSTEMS CARLSBAD CALIFORNIA
 PART NO.

APPRV'D	BT
CODE IDENT:	19477

TITLE
 LINEAR MOTION POTENTIOMETER

PART NO.
 LCP18UC

ALL SPECIFICATIONS SUBJECT TO CHANGE WITHOUT NOTICE.