

REV.	BY	DATE	PART NO.	MW10B
F	AT	01-09-2020	HOUSING WAS ALUMINUM	

SPECIFICATIONS

ELECTRICAL

- RESISTANCE RANGE — — — SEE CHART
- RESISTANCE TOLERANCE — — — ±3%
- LINEARITY(INDEPENDENT) — — — ±0.25%(10 TURN)±0.35%(5 TURN)&(3 TURN)
- ELECTRICAL ANGLE — — — 3600'(10 TURN)1800'(5 TURN) ±5' (3 TURN)1080'±5"
- END RESISTANCE — — — 0.2% OR 2 OHMS
- ELECTRICAL NOISE(ENR) — — — 100 OHMS MAX
- RESOLUTION — — — SEE CHART
- INSULATION RESISTANCE — — — 100 MEGOHMS AT 500 VDC
- DIELECTRIC STRENGTH — — — 500 VAC MIN.
- POWER RATING — — — 1 WATT(10 TURN) .5 WATT(5 TURN),3 WATT (3 TURN)

MECHANICAL

- NO OF TURNS — — — MW10B-10(10 TURN) MW10B-5(5 TURN) MW10B-3(3 TURNS)
- MECHANICAL ANGLE — — — 3600'(10 TURN)1800'(5 TURN)+30'-0' (3 TURN)1080'
- ROTATIONAL LIFE — — — 1,000,000 TURNS (3&5 TURN)600,000
- STOP STRENGTH — — — 15 IN. OZ.
- STARTING TORQUE — — — 0.5 IN. OZ. MAX
- WEIGHT — — — 0.7 OZ.(10 TURN) 0.6 OZ (5 TURN)(3 TURN)

ENVIRONMENTAL

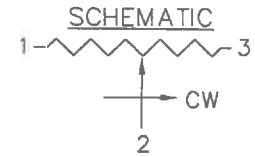
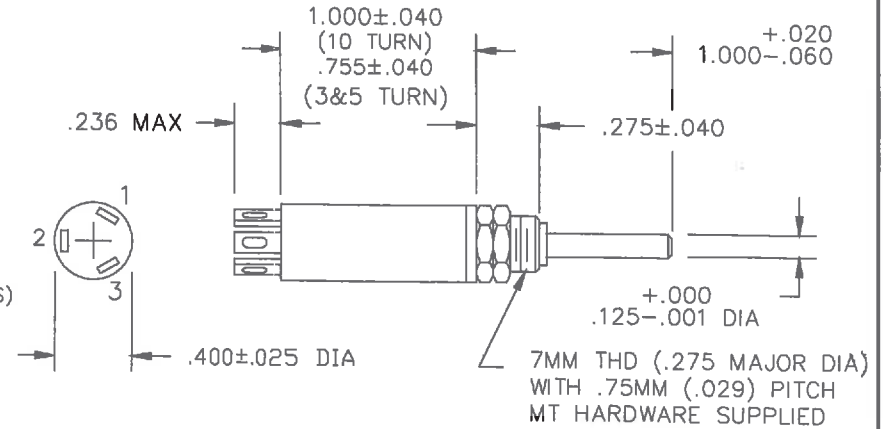
- OPERATING TEMPERATURE — — — -55°C TO +105°C
- TEMPERATURE COEFFICIENT — — — SEE CHART
- VIBRATION — — — 10HZ TO 2000HZ 15G
- SHOCK — — — 50G 11MS
- MOISTURE RESISTANCE — — — 40°C 95%RH 240 HOURS

MATERIALS

- HOUSING — — — HIGH TEMP. THERMO PLASTIC
- SHAFT — — — STAINLESS STEEL
- BUSHING — — — PLATED BRASS
- TERMINALS — — — GOLD PLATED
- RESISTANCE ELEMENT — — — WIREWOUND

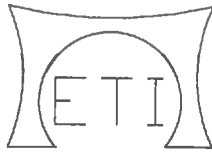
OPTIONAL FEATURES

- SHAFT MODIFICATIONS



RESOLUTION CHART

RESISTANCE	100	200	500	1K	2K	5K	10K	20K	50K	100K
MW10B-3	.07%	.15%	.19%	.16%	.10%	.09%	.07%	.05%		
MW10B-5	.13%	.16%	.12%	.09%	.07%	.055%	.043%	.034%	.025%	
MW10B-10	.08%	.07%	.07%	.06%	.05%	.035%	.027%	.022	.016%	.013%
TEMP. COEFF.	80 PPM/°C			20 PPM/°C						

SCALE	NONE	THIS DOCUMENT CONTAINS PROPRIETARY DATA OF POLARIS INDUSTRIAL ENTERPRISES, INC. NO DISCLOSURE, REPRODUCTION, OR USE OF ANY PART THERE OF MAY BE MADE EXCEPT BY WRITTEN PERMISSION.	 CARLSBAD CALIFORNIA
	DATE: 8-9-86		
BY		TITLE MULTI-TURN POTENTIOMETER	PART NO. MW10B
APPRV'D	BT		
TOLERANCES XX = +/- .010" FRACT. = +/- 1/64" XXX = +/- .005" ANGLES = +/- 1/2"		CODE IDENT: 19477	
ALL SPECIFICATIONS SUBJECT TO CHANGE WITHOUT NOTICE.			