

**SPECIFICATIONS**

**ELECTRICAL**

RESISTANCE RANGE ----- 1K TO 500K  
 RESISTANCE TOLERANCE ----- ±10%  
 LINEARITY (INDEPENDENT) ----- ±0.5%  
 ELECTRICAL ANGLE ----- 320°±5°  
 END RESISTANCE ----- 0.2% MAX.  
 ESSENTIALLY INFINITE  
 INSULATION RESISTANCE ----- 1000MEG OHMS @1000 VDC  
 DIELECTRIC STRENGTH ----- 1000 VAC  
 POWER RATING ----- 3.0 WATTS  
 CONTACT RESIS. VARIATION ----- BELOW 2% C.R.V.  
 OUTPUT SMOOTHNESS ----- LESS THAN 0.1%

**MECHANICAL**

NO. OF TURNS ----- 1  
 MECHANICAL ROTATION ----- 320°±10°-0°  
 ROTATIONAL LIFE ----- 20,000,000 TURNS  
 STOP STRENGTH ----- N/A  
 TORQUE ----- 0.5 OZ IN.  
 WEIGHT ----- 1 OZ.

**ENVIRONMENTAL**

OPERATING TEMPERATURE ----- -55°C TO +125°C  
 TEMPERATURE COEFFICIENT ----- ±400 PPM/°C  
 VIBRATION ----- 10HZ TO 2000HZ 15G  
 SHOCK ----- 50G  
 MOISTURE RESISTANCE ----- 40°C 95%RH 120 HOURS

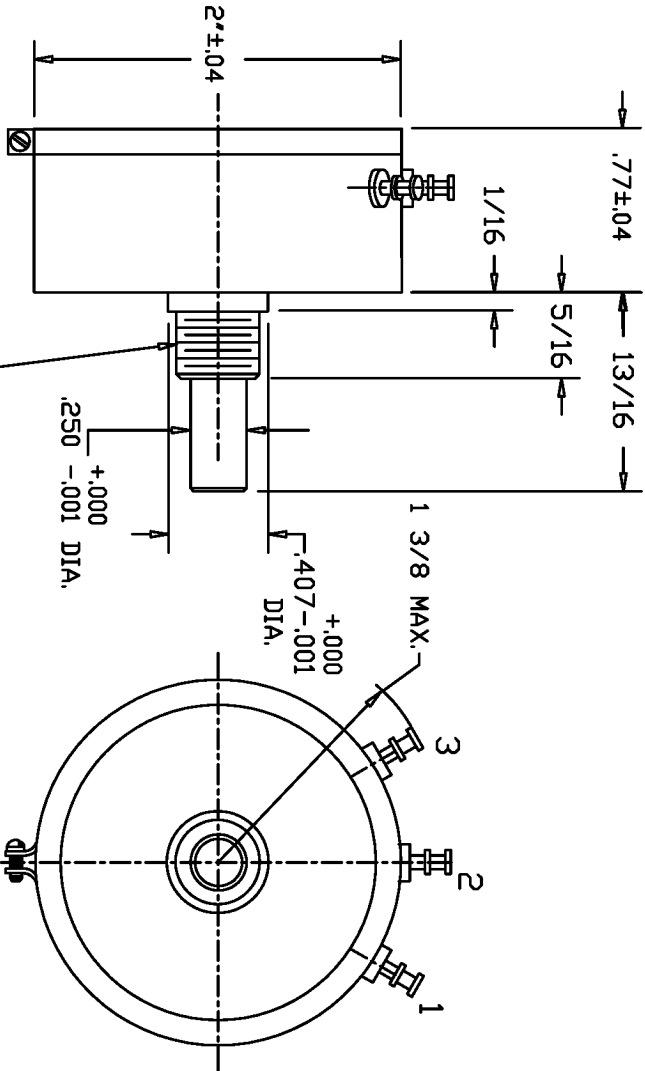
**MATERIALS**

HOUSING ----- ANODIZED ALUMINUM  
 SHAFT ----- STAINLESS STEEL  
 TERMINALS ----- GOLD PLATED BRASS  
 RESISTANCE ELEMENT ----- CONDUCTIVE PLASTIC

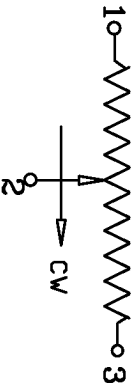
**OPTIONAL FEATURES**

SHAFT MODIFICATIONS  
 REAR SHAFT  
 CENTER TAP  
 DRING SHAFT SEAL  
 SERVO MOUNT  
 SPECIAL ANGLES  
 MULTIPLE SECTIONS

REV.	BY	DATE	PART NO.
D	BT	12-11 00	SP50B
REMOVED TERMINAL PLATE			



**SCHEMATIC**



SCALE	NONE
DATE:	7-23-86
BY	

**TOLERANCES**

XX = +/- .010" FRACT. = +/- 1/64"  
 XXX = +/- .005" ANGLES = +/- 1/2°

ALL SPECIFICATIONS SUBJECT TO CHANGE WITHOUT NOTICE.

THIS DOCUMENT CONTAINS PROPRIETARY DATA OF POLARIS INDUSTRIAL ENTERPRISES, INC. NO DISCLOSURE, REPRODUCTION, OR USE OF ANY PART THERE OF MAY BE MADE EXCEPT BY WRITTEN PERMISSION.

**TITLE**

SINGLE TURN POTENTIOMETER



ETTI SYSTEMS CARLSBAD CALIFORNIA

PART NO.

SP50B