

SPECIFICATIONS

ELECTRICAL

RESISTANCE VALUES _____ 1K,2K,5K,10K,20K,50K,100K
 RESISTANCE TOLERANCE _____ ±10%
 LINEARITY(INDEPENDENT) _____ ±1%
 ELECTRICAL ANGLE _____ 320°±5°
 END RESISTANCE _____ 0.2% MAX.
 RESOLUTION _____ ESSENTIALLY INFINITE
 INSULATION RESISTANCE _____ 1000MEG OHMS @1000 VDC
 DIELECTRIC STRENGTH _____ 1000 VAC
 POWER RATING _____ 1 WATT
 CONTACT RESIS. VARIATION _____ BELOW 2% C.R.V.
 OUTPUT SMOOTHNESS _____ LESS THAN 0.1%

MECHANICAL

NO OF TURNS _____ 1
 MECHANICAL ROTATION _____ 320 +10°-0°
 ROTATIONAL LIFE _____ 20,000,000 TURNS
 STOP STRENGTH _____ N/A
 TORQUE _____ BELOW 0.3 OZ.IN.
 WEIGHT _____ 1 OZ.

ENVIRONMENTAL

OPERATING TEMPERATURE _____ -55°C TO +125°C
 TEMPERATURE COEFFICIENT _____ ±400 PPM/°C
 VIBRATION _____ 10HZ TO 2000HZ 15G
 SHOCK _____ 50G
 MOISTURE RESISTANCE _____ 40°C 95%RH 120 HOURS

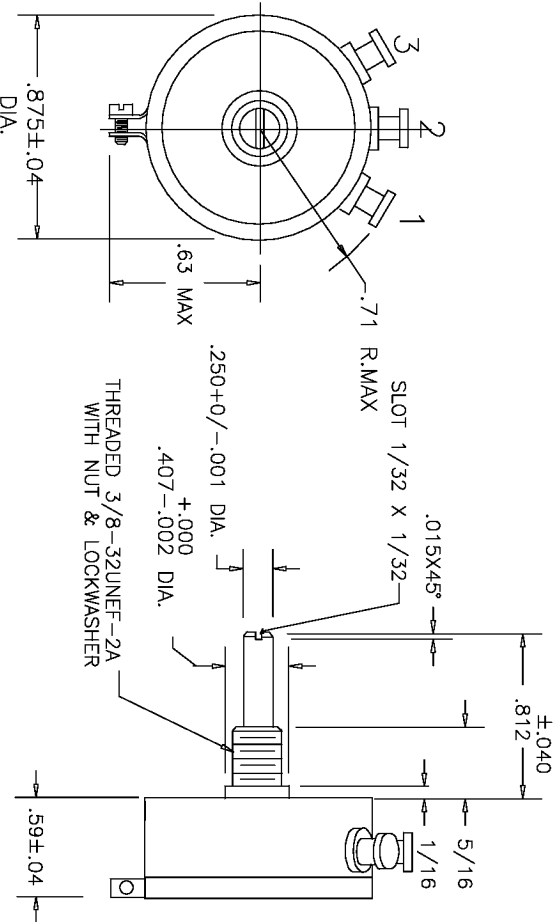
MATERIALS

HOUSING _____ ANODIZED ALUMINUM, BLACK
 SHAFT _____ STAINLESS STEEL
 TERMINALS _____ GOLD PLATED BRASS
 RESISTANCE ELEMENT _____ CONDUCTIVE PLASTIC

OPTIONAL FEATURES

SHAFT MODIFICATIONS
 REAR SHAFT
 CENTER TAP
 O-RING SHAFT SEAL
 BUSHING MOUNT
 SPECIAL ANGLES
 MULTIPLE SECTIONS

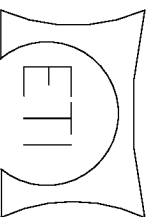
REV.	BY	DATE	PART NO.
B	BT	11-6	SP22B
			ADDED MECHANICAL STOPS



THIS DOCUMENT CONTAINS PROPRIETARY DATA OF POLARIS INDUSTRIAL ENTERPRISES, INC. NO DISCLOSURE, REPRODUCTION, OR USE OF ANY PART THERE OF MAY BE MADE EXCEPT BY WRITTEN PERMISSION.

TITLE

SINGLE TURN
 POTENTIOMETER



CARLSBAD
 CALIFORNIA

PART NO.

SP22B

TOLERANCES

XX = .010 FRACTIONS = ?/64
 XXX = ±.005 ANGLES = ±1/2°
 ALL SPECIFICATIONS SUBJECT TO CHANGE WITHOUT NOTICE.

SCALE:	NONE
DATE:	5-25-91
BY:	

APPR'D	BT
CODE IDENT:	19477