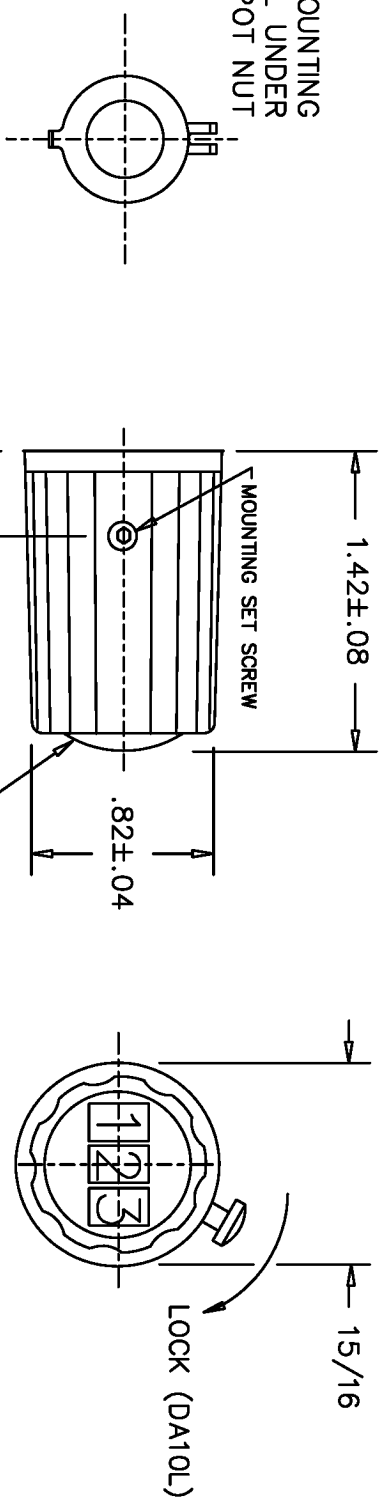


THIS DOCUMENT CONTAINS PROPRIETARY DATA OF POLARIS INDUSTRIAL ENTERPRISES, INC. NO DISCLOSURE, REPRODUCTION, OR USE OF ANY PART THERE OF MAY BE MADE EXCEPT BY WRITTEN PERMISSION.

REV.	BY	DATE	APPRVL.	P/N	DA10
F	BT	10-8-99			

ADDED FACE & WHEEL COLORS

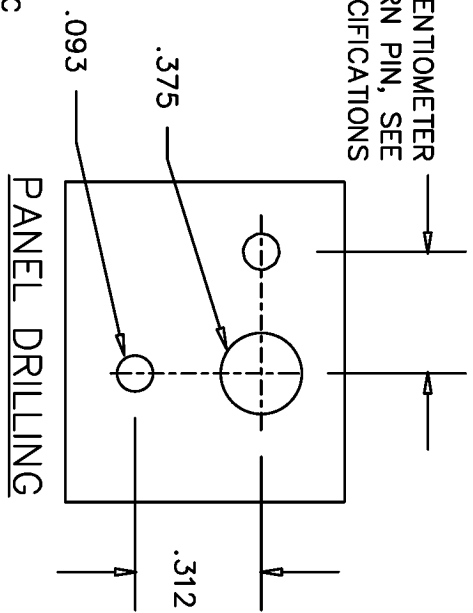
NON-TURN MOUNTING  
BRACKET, INSTALL UNDER  
POT NUT



SPECIFICATIONS

NUMBER OF TURNS ..... 10 (000 TO 999)  
 LOCK ..... (SEE CHART FOR APPLICABLE PART No.)  
 OPERATING TEMPERATURE ..... -30°C TO +85°C  
 WEIGHT ..... 1.5 OZ.

DIMENSION FOR POTENTIOMETER  
NON TURN PIN, SEE  
POT SPECIFICATIONS



PART #	SHAFT SIZE	LOCKING UNIT
DA10L-1/4	0.250	YES
DA10L-1/8	0.125	YES
DA10L-6mm	6mm	YES
DA10L-3mm	3mm	YES
DA10N-1/4	0.250	NO
DA10N-1/8	0.125	NO
DA10N-6mm	6mm	NO
DA10N-3mm	3mm	NO

**MATERIAL**

HOUSING \_\_\_\_\_ BLACK PLASTIC  
 BASE, INTERNAL \_\_\_\_\_ CAST ALUMINUM  
 BUSHING \_\_\_\_\_ BRASS  
 FACE \_\_\_\_\_ SATIN  
 WHEELS \_\_\_\_\_ WHITE  
 NUMBERS \_\_\_\_\_ BLACK

TOLERANCES

XX = +/- .010" FRACT. = +/- 1/64"  
 XXX = +/- .005" ANGLES = +/- 1/2"  
 ALL SPECIFICATIONS SUBJECT TO CHANGE WITHOUT NOTICE.

SCALE	DATE: 9-17-87
FULL	BY
CODE IDENT: 19477	APPRV'D
	BT

**FTI SYSTEMS** CARLSBAD CALIFORNIA

**FTI SYSTEMS** CARLSBAD CALIFORNIA

TITLE: **TURNS COUNTING DIAL**

PART NO.: **DA10**