

SPECIFICATIONS

ELECTRICAL

RESISTANCE TOLERANCE-----	10K OHMS
RESISTANCE (INDEPENDENT)-----	±15%
LINEARITY (INDEPENDENT)-----	±3.0%
POWER RATING-----	0.2 WATT
LEVER ELECTRICAL ANGLE-----	44°
RESOLUTION-----	ESSENTIALLY INFINITE
OUTPUT SMOOTHNESS-----	BELOW 0.2% AGAINST INPUT VOLTAGE
CONTACT RESISTANCE VARIATION-----	BELOW 5% C.R.V.
INSULATION RESISTANCE-----	1000 MEGA OHMS @ 500VDC.
DIELECTRIC STRENGTH-----	1 MINUTE AT 500 VAC
MAX. WIPER OUTPUT-----	1 mA RECOMMENDED, 5 mA MAX.

MECHANICAL

RANGE OF OPERATING LEVER-----	±22° ~ ±26° OMNI-DIRECTIONAL FROM CENTER.
OPERATING FORCE FOR X AND Y DIR.-----	APPROX. 7.2 ~ 43.2 OZ-F
OPERATING TEMPERATURE-----	-20°C TO +60°C
LIFE EXPECTANCY-----	5 MILLION OPERATIONS
WEIGHT-----	APPROX. 23 OZ.

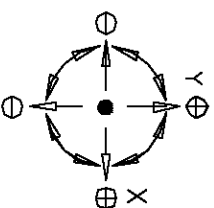
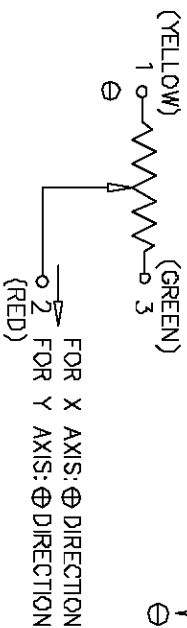
MATERIALS

HOUSING-----	ALUMINUM
ELEMENT-----	CONDUCTIVE PLASTIC
KNOB-----	HARD PLASTIC

OPTIONS

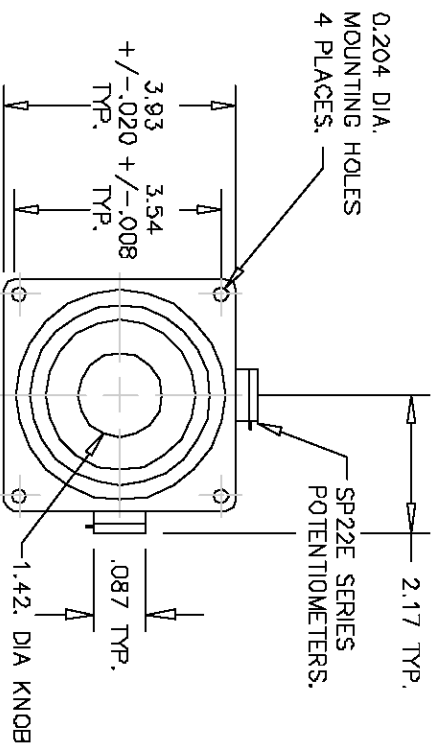
1 & 3 DIMENSIONAL LEVER OPERATION.
OTHER RESISTANCE AVAILABLE.
LEVER SWITCHES.

SCHEMATIC

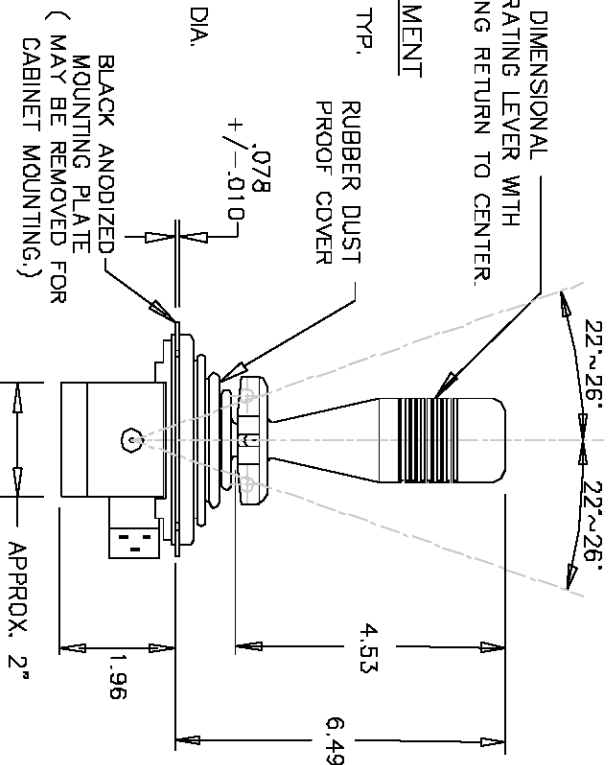
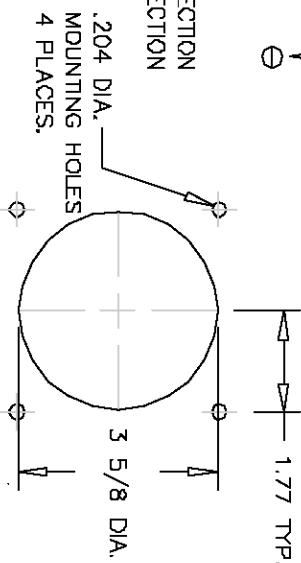


"C" LEVER OPERATION

TWO DIMENSIONAL
OPERATING LEVER WITH
SPRING RETURN TO CENTER.



PANEL ARRANGEMENT



TITLE

PART NO.

JOYSTICK

J90-CQ20-SMB



ETI SYSTEMS
CARLSBAD
CALIFORNIA

2251 LAS PALMAS DR.
CARLSBAD, CA 92009
PHONE (760) 929-0749
FAX (760) 929-0748
WWW.ETISYSTEMS.COM