

SPECIFICATIONS

ELECTRICAL

RESISTANCE TOLERANCE	-----	10K OHMS
RESISTANCE LINEARITY (INDEPENDENT)	-----	±15%
POWER RATING	-----	±3.0%
ELECTRICAL ROTATING ANGLE	-----	0.2 WATT
RESOLUTION	-----	60°
OUTPUT SMOOTHNESS	-----	ESSENTIALLY INFINITE
CONTACT RESISTANCE VARIATION	-----	BELOW 0.2% AGAINST INPUT VOLTAGE
INSULATION RESISTANCE	-----	BELOW 5% C.R.V.
DIELECTRIC STRENGTH	-----	1000 MEGA OHMS @ 500VDC.
MAX. WIPER OUTPUT	-----	1 MINUTE AT 500 VAC
	-----	1 mA RECOMMENDED, 5 mA MAX.

MECHANICAL

RANGE OF OPERATING LEVER	-----	±30° ~ ±35° BI-DIRECTIONAL FROM CENTER.
OPERATING FORCE FOR X AND Y DIR.	-----	APPROX. 10.79 ~ 53.95 OZ-F.
OPERATING TEMPERATURE	-----	-20°C TO +65°C
LIFE EXPECTANCY	-----	5 MILLION OPERATIONS
WEIGHT	-----	APPROX. 11 OZ.

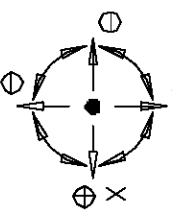
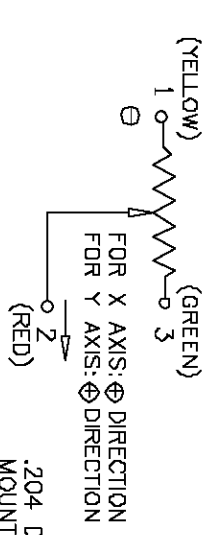
MATERIALS

HOUSING	-----	ALUMINUM.
ELEMENT	-----	CONDUCTIVE PLASTIC
KNOB	-----	HARD PLASTIC

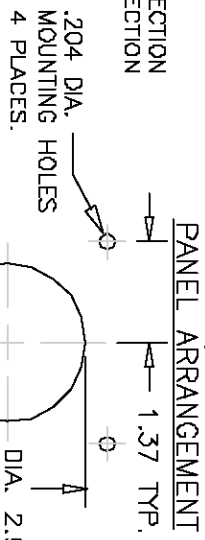
OPTIONS

1 OR 3 DIMENSIONAL LEVER OPERATION.
OTHER RESISTANCE AVAILABLE.
FRICTION HOLD INSTEAD OF SPRING RETURN.

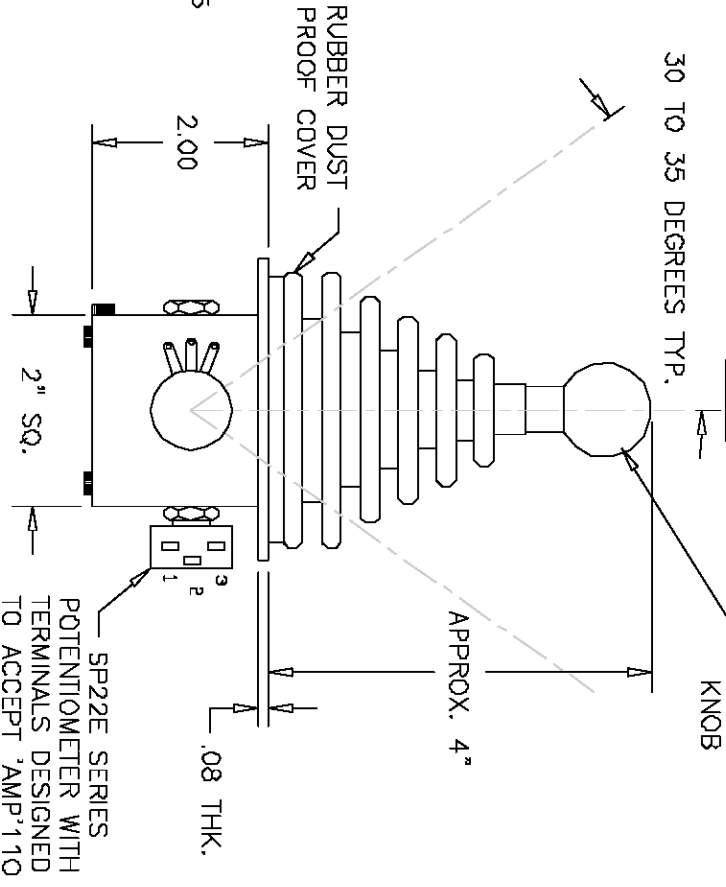
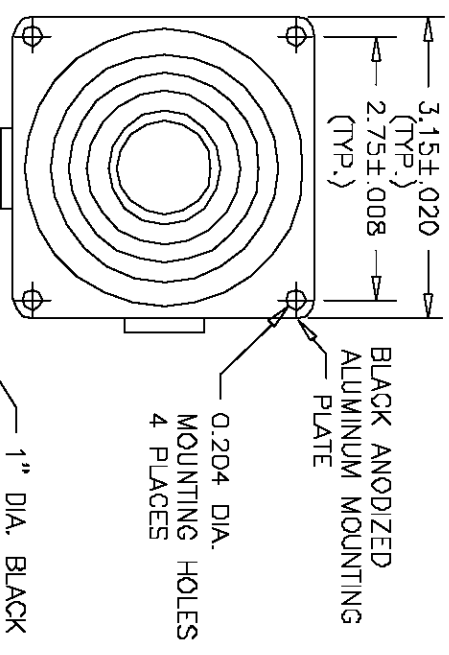
SCHEMATIC



3" C³ LEVER DIRECTION



REV.	BY	DATE	P/N
			J50-CR20-SMB



POTENTIOMETER WITH TERMINALS DESIGNED TO ACCEPT 'AMP' 110 SERIES CONNECTORS.

TITLE

JOYSTICK

PART NO.

J50-CR20-SMB



ETI SYSTEMS
CARLSBAD CALIFORNIA

2251 LAS PALMAS DR.
CARLSBAD, CA 92009
PHONE (760) 929-0749
FAX (760) 929-0748
WWW.ETISYSTEMS.COM