

**ELECTRICAL SPECIFICATIONS**

RESISTANCE RANGE	50 TO 300K
RESISTANCE TOLERANCE	±5%
LINEARITY, INDEPENDENT	SEE CHART
RESOLUTION	SEE CHART
END RESISTANCE	1 OHM OR 1%
ELECTRICAL TRAVEL	SEE CHART
NOISE	100 OHMS MAX
POWER RATING	SEE CHART
INSULATION RESISTANCE	100 MEGOHMS @ 1000 VDC
DIELECTRIC STRENGTH	1000 VAC MIN.

**MECHANICAL**  
 NUMBER OF TURNS ----- SEE CHART  
 MECHANICAL TRAVEL ----- SEE CHART  
 TORQUE, ROTATIONAL ----- 2.8 OZ.IN.  
 SHAFT END PLAY ----- .005 T.I.R.  
 LIFE (SHAFT REVOLUTIONS) ----- SEE CHART  
 STOP STRENGTH ----- 125 OZ.IN. MIN.  
**ENVIRONMENTAL**  
 OPERATING TEMPERATURE ----- -55C TO +105C  
 TEMPERATURE COEFFICIENT ----- SEE CHART  
 VIBRATION ----- 10HZ TO 2000HZ 15G  
 SHOCK ----- 50G 11MS  
 MOISTURE RESISTANCE ----- 40C 95%RH 120 HOURS

**OPTIONS**  
 SPECIAL SHAFTS BALL BEARINGS SPECIAL RESISTANCES  
 SERVO MOUNT SPECIAL LINEARITY DUAL GANGS

**MATERIAL**  
 HOUSING ----- THERMO-SETTING PLASTIC  
 SERVO UID ----- ALUMINUM, ANODIZED  
 SHAFT ----- STAINLESS STEEL  
 TERMINALS ----- GOLD PLATED  
 BEARINGS ----- BUSHING

**% RESOLUTION AND TEMPERATURE COEFFICIENT CHART**

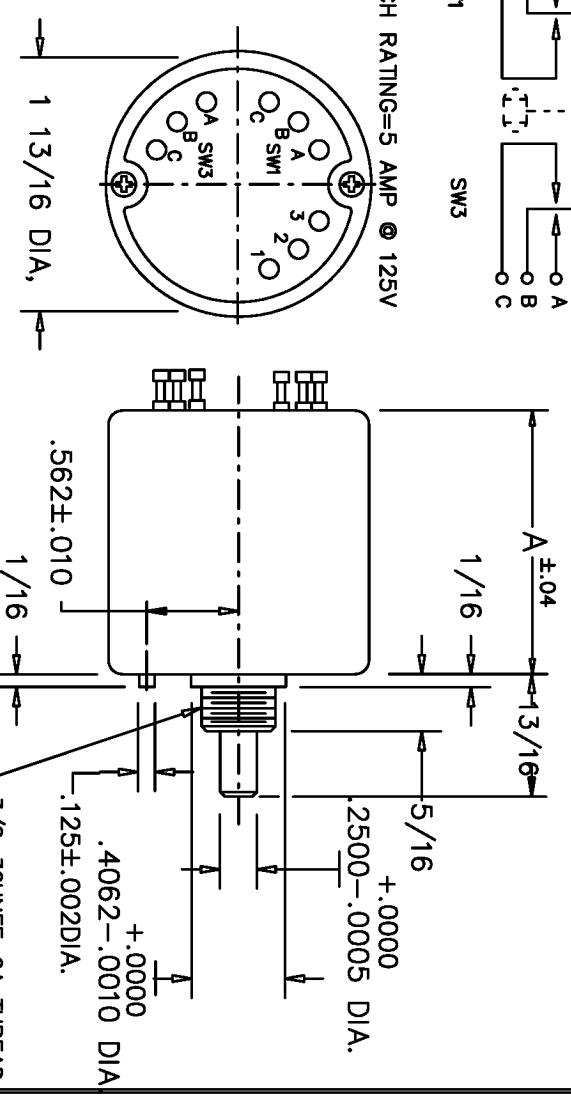
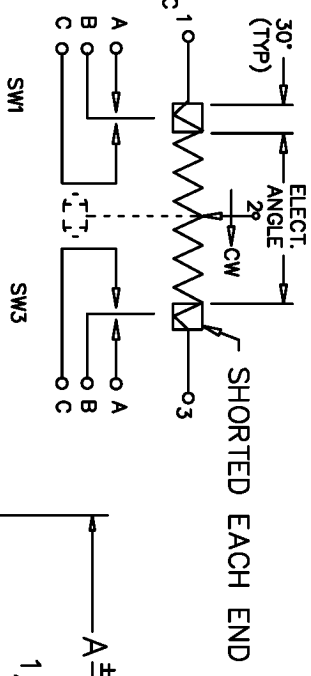
RESIS. MODEL	# SLIDEWIRE (INFINITE RESOLUTION)																	
	1	2	5	10	20	50	100	200	500	1K	2K	5K	10K	20K	50K	100K	200K	300K
.5	1	2	5	10	20	50	100	200	500	1K	2K	5K	10K	20K	50K	100K	200K	300K
-3	#	#	#	#	#	.180	.145	.105	.084	.066	.048	.054	.043	.031	.024	.019	.014	.012
-5	#	#	#	#	#	.108	.078	.061	.048	.035	.039	.031	.024	.017	.013	.009	.008	
-10	#	#	#	#	#	.056	.040	.031	.023	.026	.020	.015	.012	.009	.007	.005	.004	.004

TEMPCO 80 PPM/°C 20 PPM/°C

**ORDERING PART NO.**  
 SMR46B - 10 - 1 OR 2 - RESIS.  
 MODEL OR 5 NO. OF SWITCHES (NOTE: -1 HAS ONE SWITCH)  
 NO. OF TURNS

**TOLERANCES**  
 XX = +/- .010" FRACT. = +/- 1/64"  
 XXX = +/- .005" ANGLES = +/- 1/2°  
 ALL SPECIFICATIONS SUBJECT TO CHANGE WITHOUT NOTICE.

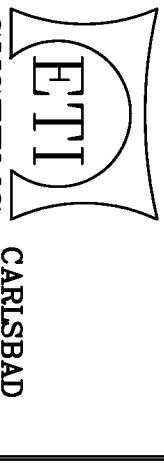
REV.	BY	DATE	PART NO.
H	AT	1-23-03	SMR46B
			REVISED



THIS DOCUMENT CONTAINS PROPRIETARY DATA OF POLARIS INDUSTRIAL ENTERPRISES, INC. NO DISCLOSURE, REPRODUCTION, OR USE OF ANY PART THERE OF MAY BE MADE EXCEPT BY WRITTEN PERMISSION.

**TITLE**  
 WIREWOUND MULTI-TURN POTENTIOMETER

**CARLSBAD SYSTEMS CALIFORNIA**



**PART NO.**  
 SMR46B