

REV.	BY	DATE	PART NO.	MW10B
E	PD	11-21 91	MW10B WAS MW10	

SPECIFICATIONS

ELECTRICAL

- RESISTANCE RANGE _____ SEE CHART
- RESISTANCE TOLERANCE _____ ±3%
- LINEARITY(INDEPENDENT) _____ ±0.25%(10 TURN)±0.35%(5 TURN)&(3 TURN)
- ELECTRICAL ANGLE _____ 360°(10 TURN)180°(5 TURN) ±5°(3 TURN)108°±5°
- END RESISTANCE _____ 0.2% OR 2 OHMS
- ELECTRICAL NOISE(ENR) _____ 100 OHMS MAX
- RESOLUTION _____ SEE CHART
- INSULATION RESISTANCE _____ 100 MEGOHMS AT 500 VDC
- DIELECTRIC STRENGTH _____ 500 VAC MIN.
- POWER RATING _____ 1 WATT(10 TURN) .5 WATT(5 TURN).3 WATT (3 TURN)

MECHANICAL

- NO OF TURNS _____ MW10B-10(10 TURN) MW10B-5(5 TURN)MW10B-3(3 TURNS)
- MECHANICAL ANGLE _____ 360°(10 TURN)180°(5 TURN)+30°-0° (3 TURN)108°
- ROTATIONAL LIFE _____ 1,000,000 TURNS (3&5 TURN)600,000
- STOP STRENGTH _____ 15 IN. OZ.
- STARTING TORQUE _____ 0.5 IN. OZ. MAX
- WEIGHT _____ 0.7 OZ.(10 TURN) 0.6 OZ (5 TURN)3 TURN)

ENVIRONMENTAL

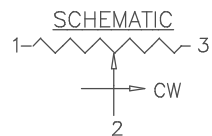
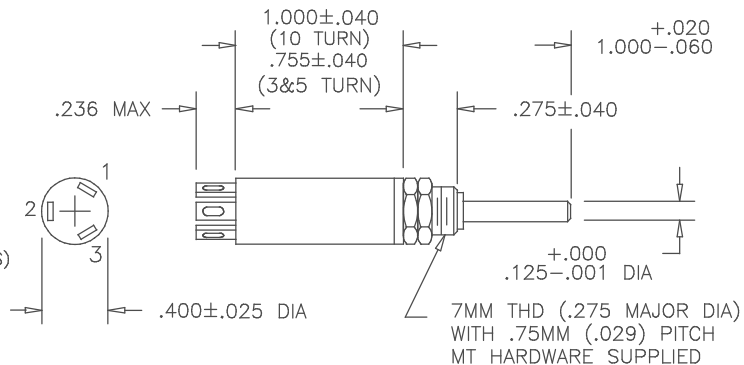
- OPERATING TEMPERATURE _____ -55°C TO +105°C
- TEMPERATURE COEFFICIENT _____ SEE CHART
- VIBRATION _____ 10HZ TO 2000HZ 15G
- SHOCK _____ 50G 11MS
- MOISTURE RESISTANCE _____ 40°C 95%RH 240 HOURS

MATERIALS

- HOUSING _____ ANODIZED ALUMINUM
- SHAFT _____ STAINLESS STEEL
- BUSHING _____ PLATED BRASS
- TERMINALS _____ GOLD PLATED
- RESISTANCE ELEMENT _____ WIREWOUND

OPTIONAL FEATURES

- SHAFT MODIFICATIONS



RESOLUTION CHART

RESISTANCE	100	200	500	1K	2K	5K	10K	20K	50K	100K
MW10B-3	.07%	.15%	.19%	.16%	.10%	.09%	.07%	.05%		
MW10B-5	.13%	.16%	.12%	.09%	.07%	.055%	.043%	.034%	.025%	
MW10B-10	.08%	.07%	.07%	.06%	.05%	.035%	.027%	.022	.016%	.013%
TEMP. COEFF.	80 PPM/°C		20 PPM/°C							

SCALE NONE
DATE: 8-9-86
BY

THIS DOCUMENT CONTAINS PROPRIETARY DATA OF POLARIS INDUSTRIAL ENTERPRISES, INC. NO DISCLOSURE, REPRODUCTION, OR USE OF ANY PART THERE OF MAY BE MADE EXCEPT BY WRITTEN PERMISSION.

ETI
SYSTEMS
CARLSBAD CALIFORNIA
PART NO.

APPRV'D BT
CODE IDENT: 19477

TITLE
MULTI-TURN
POTENTIOMETER

MW10B

TOLERANCES

- XX = +/- .010" FRACT. = +/- 1/64"
- XXX = +/- .005" ANGLES = +/- 1/2°

ALL SPECIFICATIONS SUBJECT TO CHANGE WITHOUT NOTICE.