

SPECIFICATIONS

ELECTRICAL

RESISTANCE VALUES ----- 1K,2K,5K,10K,20K,50K,100K
 RESISTANCE TOLERANCE ----- ±10%
 LINEARITY(INDEPENDENT) ----- ±1%
 ELECTRICAL ANGLE ----- 320±5°
 END RESISTANCE ----- 0.2% MAX.
 RESOLUTION ----- ESSENTIALLY INFINITE
 INSULATION RESISTANCE ----- 1000MEG OHMS @1000 VDC
 DIELECTRIC STRENGTH ----- 1000 VAC
 POWER RATING ----- 1.5 WATT
 CONTACT RESIS. VARIATION ----- BELOW 2% C.R.V.
 OUTPUT SMOOTHNESS ----- LESS THAN 0.1%

MECHANICAL

NO OF TURNS ----- 1
 MECHANICAL ROTATION ----- 320°±10'-0"
 ROTATIONAL LIFE ----- 20,000,000 TURNS
 STOP STRENGTH ----- 42 IN.OZ
 TORQUE ----- .83 IN.OZ. MAX.
 WEIGHT ----- 1 OZ.

ENVIRONMENTAL

OPERATING TEMPERATURE ----- -55°C TO +125°C
 TEMPERATURE COEFFICIENT ----- SEE CHART
 VIBRATION ----- 10HZ TO 2000HZ 15G
 SHOCK ----- 50G
 MOISTURE RESISTANCE ----- 40°C 95%RH 120 HOURS

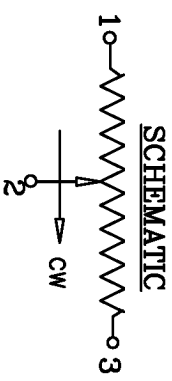
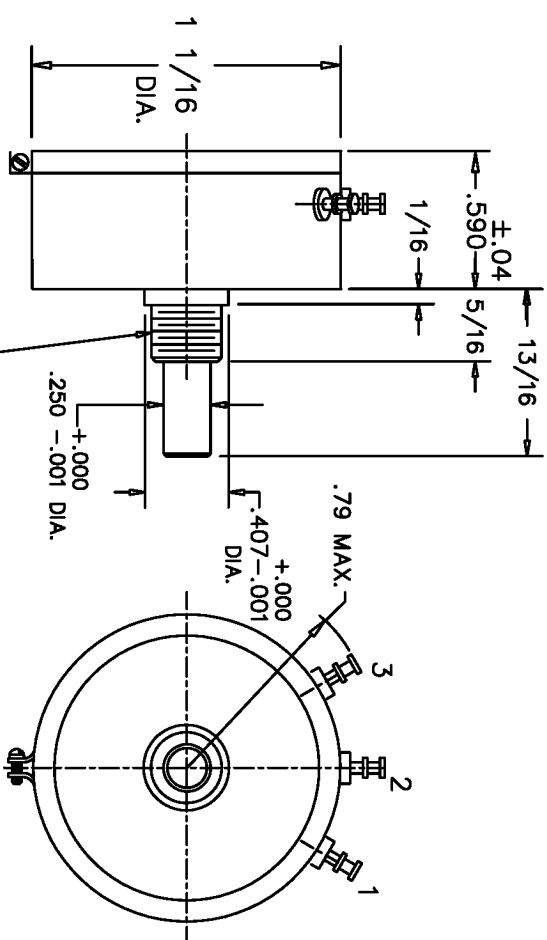
MATERIALS

HOUSING ----- ANODIZED ALUMINUM
 SHAFT ----- STAINLESS STEEL
 TERMINALS ----- GOLD PLATED BRASS
 RESISTANCE ELEMENT ----- CONDUCTIVE PLASTIC

OPTIONAL FEATURES

SHAFT MODIFICATIONS ----- O'RING SHAFT SEAL
 REAR SHAFT ----- SERVO MOUNT
 CENTER TAP ----- SPECIAL ANGLES

REV.	BY	DATE	PART NO.
B		11-69	SP 30B
			MECH & ELEC ANGLE REVISED



NOTES:

CONDUCTIVE PLASTIC RESISTANCE ELEMENT

TOLERANCES

XX = .010 FRACTIONS = ?/64
 XXX = ±.005 ANGLES = ±1/2°

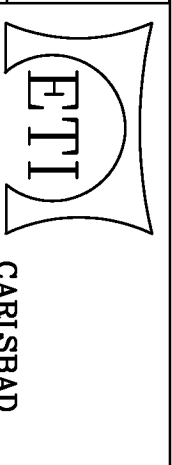
ALL SPECIFICATIONS SUBJECT TO CHANGE WITHOUT NOTICE.

SCALE:	NONE
DATE:	6-1-88
BY:	
APRVD	BT
CODE IDENT:	19477

THIS DOCUMENT CONTAINS PROPRIETARY DATA OF POLARIS INDUSTRIAL ENTERPRISES, INC. NO DISCLOSURE, REPRODUCTION, OR USE OF ANY PART THERE OF MAY BE MADE EXCEPT BY WRITTEN PERMISSION.

TITLE

SINGLE TURN POTENTIOMETER



PART NO.

SP 30B