

THIS DOCUMENT CONTAINS PROPRIETARY DATA OF POLARIS INDUSTRIAL ENTERPRISES, INC. NO DISCLOSURE, REPRODUCTION, OR USE OF ANY PART THEREOF MAY BE MADE EXCEPT BY WRITTEN PERMISSION.

REV. BY DATE P/N S150JNK-YS-40

SPECIFICATIONS

X AXIS POT

MODEL No.-----SFCP12AC
 RESISTANCE ----- 10K ±15%
 CENTER TAP -----CURRENT TAP PPROX 4°
 LINEARITY (INDEPENDENT)----- ±2.0%
 POWER RATING----- 0.1 WATT
 ELECTRICAL ROTATING ANGLE ----- 180°+0°/-10°
 CONTACT RESISTANCE VARIATION -----BELOW 5% C.R.V.
 RESOLUTION----- ESSENTIALLY INFINITE
 OUTPUT SMOOTHNESS-----BELOW 0.2% AGAINST INPUT VOLTAGE
 CENTER RETURN ACCURACY-----50%P2%
 INSULATION RESISTANCE -----OVER 1000M @500V D.C.
 MECHANICAL OPERATING ANGLE----- ±90°±5°
 DIELECTRIC STRENGTH----- 1 MINUTE AT 500 VAC

ILLUMINATION LAMPS FOR GRADUATIONS

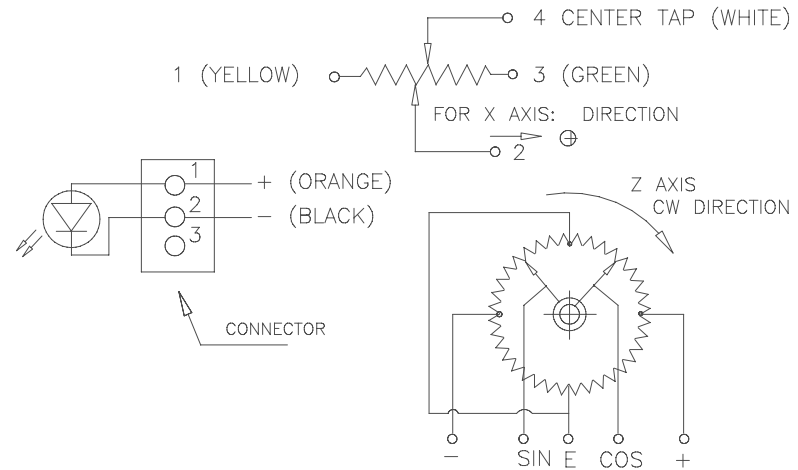
MODEL No.-----LAPD-6GP (LED TYPE)
 RATING----- 30mA, 6V±5% D.C.
 ILLUMINATION COLOR ----- GREEN

ENVIROMENTAL

OPERATING TEMPERATURE----- 20°C TO +65°C
 LIFE EXPECTANCY----- 2 MILLION OPERATIONS
 VIBRATION ----- 10~55Hz, 98m/s*2
 SHOCK ----- 298m/s*2 (30G)
 LEVER STRENGTH----- MAX.50N
 INDEX PROTECTION ----- IP 54

Z AXIS POT

MODEL No.-----SFSCB22A
 RESISTANCE ----- 10K ±15%
 INSULATION RESISTANCE -----OVER 1000M @500V D.C.
 CONFORMITY TOLERANCE----- ±2.0%
 POWER RATING----- 0.5 WATT
 ELECTRICAL ROTATING ANGLE ----- 360° (ENDLESS)
 CONTACT RESISTANCE VARIATION -----BELOW 8% C.R.V.
 RESOLUTION----- ESSENTIALLY INFINITE
 OUTPUT SMOOTHNESS-----BELOW 0.1% AGAINST INPUT VOLTAGE
 CENTER RETURN ACCURACY -----SIN 50% ±5% (COS 100%)
 AT CENTER DETENT POSITION
 MECHANICAL OPERATING ANGLE----- 360° (ENDLESS)
 DIELECTRIC STRENGTH----- 1 MINUTE AT 500 VAC



SCALE	DATE: 5-22-06
NONE	BY
CODE	APPRV'D AT
IDENT: 19477	



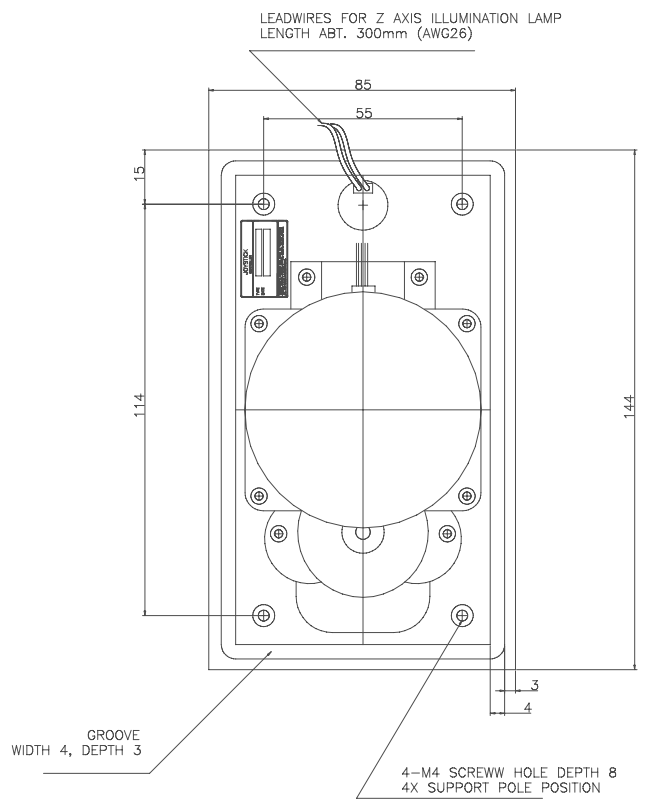
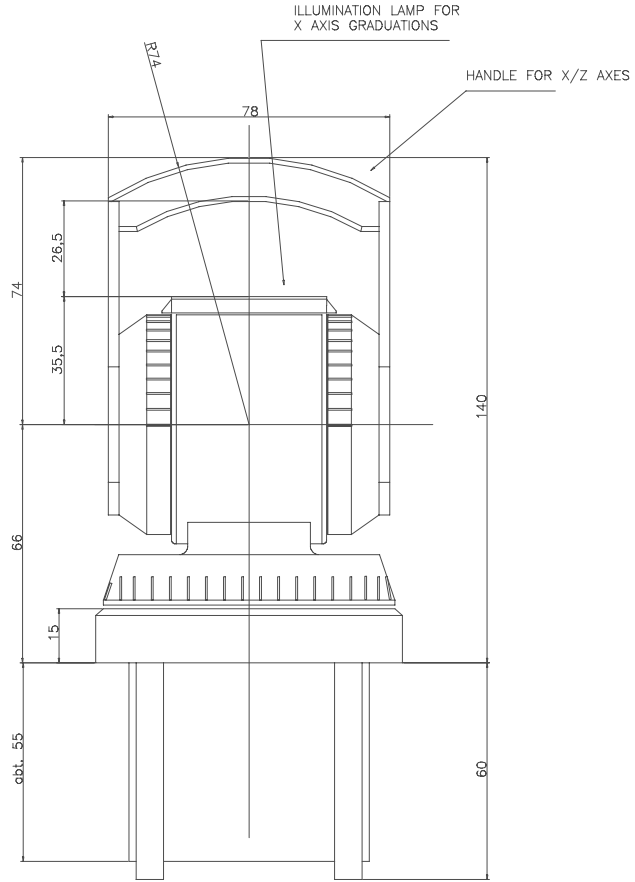
ETI SYSTEMS
 CARLSBAD
 CALIFORNIA

TITLE
 JOYSTICK

PART NO.
 S150JNK-YS-40

THIS DOCUMENT CONTAINS PROPRIETARY DATA OF POLARIS INDUSTRIAL ENTERPRISES, INC. NO DISCLOSURE, REPRODUCTION, OR USE OF ANY PART THERE OF MAY BE MADE EXCEPT BY WRITTEN PERMISSION.

REV.	BY	DATE	P/N	S150JNK-YS-40



PAGE 1

SCALE	DATE: 5-22-06
NONE	BY
CODE	APPRV'D AT
IDENT: 19477	



ETI SYSTEMS
CARLSBAD
CALIFORNIA

TITLE JOYSTICK
CONTROLLER

PART NO.
S150JNK-YS-40