

SPECIFICATIONS

THIS DOCUMENT CONTAINS PROPRIETARY DATA OF FTTI INDUSTRIAL ENTERPRISES, INC. REPRODUCING, REPRODUCTION OR USE OF ANY PART THERE OF MAY BE MADE EXCEPT BY WRITTEN PERMISSION.

REV.	BY	DATE	APPRVL.

P/N J30-NM30-SB

ELECTRICAL

RESISTANCE TOLERANCE----- 10K OHMS
 RESISTANCE (INDEPENDENT)----- ±20%
 LINEARITY (INDEPENDENT)----- ±5.0%
 POWER RATING----- 0.1 WATT (0.04 FOR "Z" AXIS)
 LEVER ELECTRICAL ANGLE----- 20° (60° FOR "Z" AXIS)
 RESOLUTION----- ESSENTIALLY INFINITE
 OUTPUT SMOOTHNESS----- BELOW ±0.2% AGAINST INPUT VOLTAGE
 CONTACT RESISTANCE VARIATION----- BELOW 6% C.R.V.
 INSULATION RESISTANCE----- 1000 MEGA OHMS @ 500VDC
 DIELECTRIC STRENGTH----- 1 MINUTE AT 500 VAC
 MAX. WIPER OUTPUT----- 10µA RECOMMENDED, 1mA MAX.

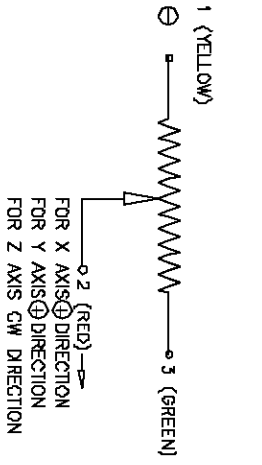
MECHANICAL

RANGE OF OPERATING LEVER----- "X" & "Y": ±10° ~ ±15° FROM CENTER
 "Z" AXIS: ±30° ~ ±35° FROM KNOB CENTER
 OPERATING FORCE----- "X" & "Y": APPROX. 3.6 ~ 7.14 OZ.-F.
 "Z" AXIS: APPROX. 4.23 ~ 9.87 OZ.-IN.
 OPERATING TEMPERATURE----- -20°C TO +60°C
 LIFE EXPECTANCY----- 2 MILLION OPERATIONS
 WEIGHT----- APPROX. 21 OZ.
 SHOCK----- APPROX. 1.0 OZ.

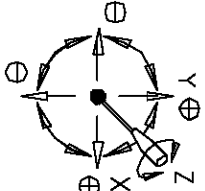
MATERIALS

HOUSING----- ALUMINUM AND HIGH TEMP. THERMO PLASTIC
 ELEMENT----- CONDUCTIVE PLASTIC
 KNOB----- HARD PLASTIC

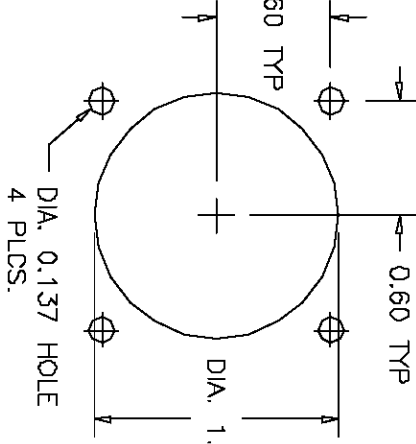
SCHEMATIC



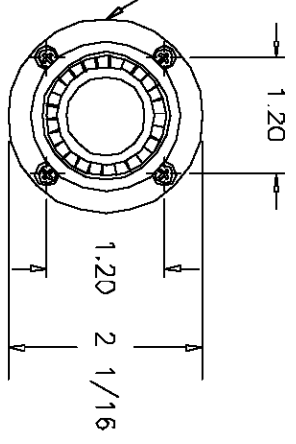
"N" LEVER DIRECTION



PANEL ARRANGEMENT

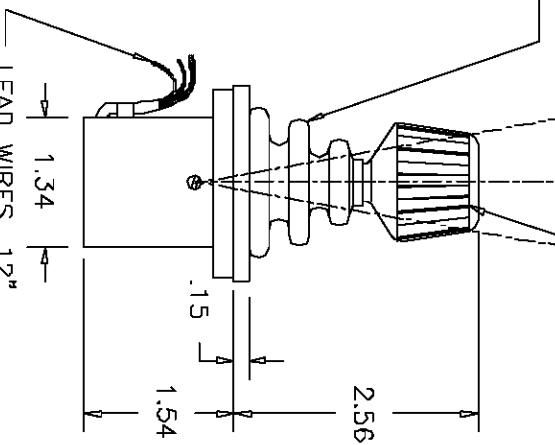


BLACK PLASTIC DRESS PANEL WITH MOUNTING SCREWS.



DUST PROOF RUBBER BOOT.

10 TO 15 DEGREES TYP.
 "Z" AXIS CONTROL KNOB WITH SPRING CENTER POSITION RETURN.



LEAD WIRES, 12" TAGGED
 "X" POT AWG28
 "Y" POT AWG28
 "Z" POT AWG27

TITLE

JOYSTICK

PART NO.

J30-NM30-SB



FTTI SYSTEMS
 CARLSBAD CALIFORNIA

2251 LAS PALMAS DR.
 CARLSBAD, CA 92009
 PHONE (760) 929-0749
 FAX (760) 929-0748
 WWW.ETISYSTEMS.COM